

A_MTG1
1593ATS
PCB MOUNTING SCREWS
#4 X 1/2

A_PCB2
102-73189

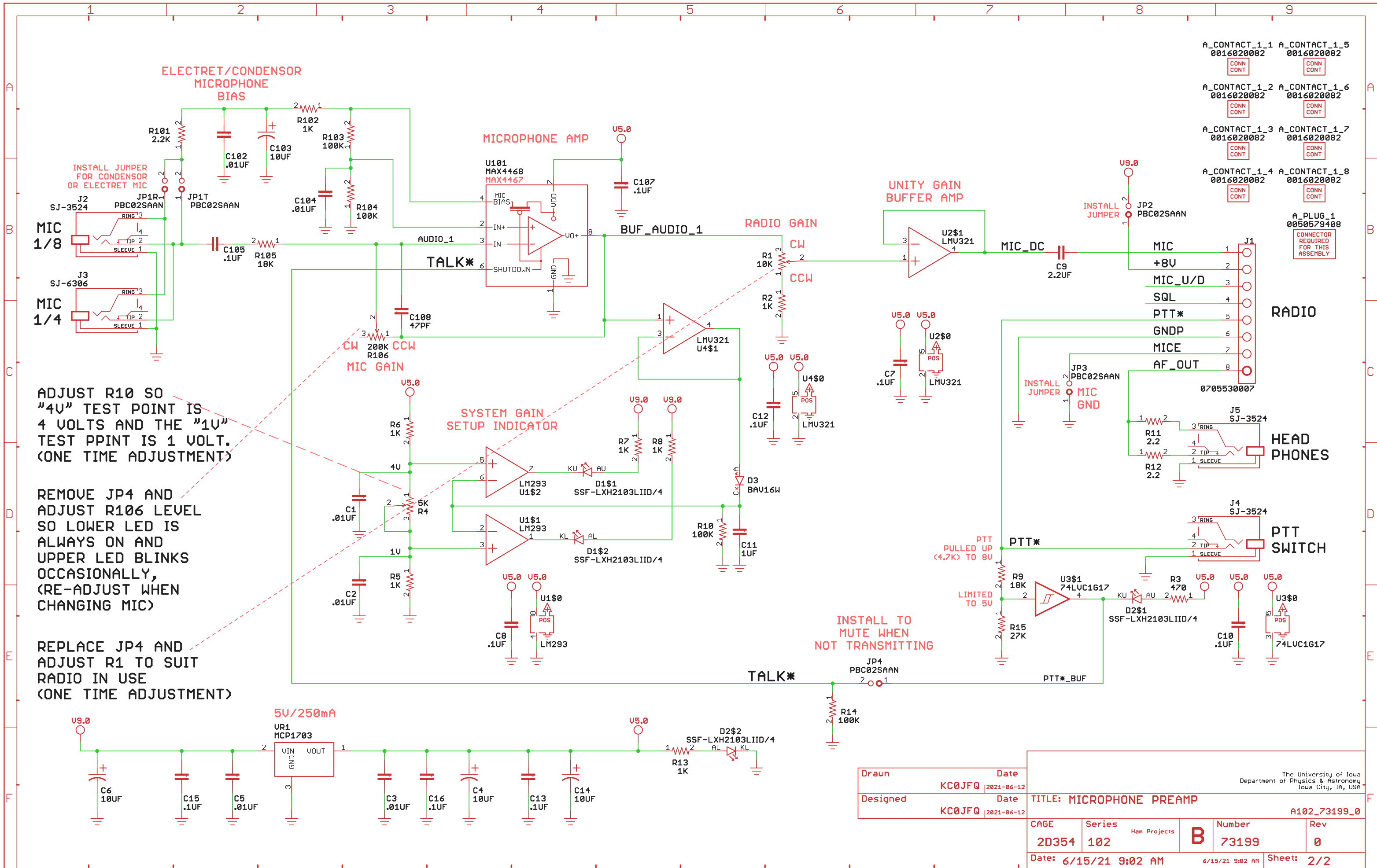
ENCLOSURE
A_ENCL1
1599B

non_flt_cap_common,non_flt_cap_0603,non_flt_cap_0805,non_flt_cap_1206,non_flt_cap_tant,non_flt_misc,gse_001,gse_002

TOP_FULL	BOARD ASSY	BOT_COMPACT	BOARD-ID		
DRAWING FRAME SHOWN ON CIRCUIT BOARD					
Drawn	KC0JFQ	Date	2021-06-12	TITLE PAGE	
Designed	KC0JFQ	Date	2021-06-12	TITLE: MICROPHONE PREAMP	
MARK ZERO POINT FOR PICK & PLACE FILE ON PRINTED CIRCUIT BOARD			CAGE	Series	Number
			2D354	102	73199
			Date: 6/15/21 9:02 AM	6/15/21 9:02 AM	Sheet: 1/2

The University of Iowa
Department of Physics & Astronomy
Iowa City, IA, USA

A102_73199_0



ADJUST R10 SO "4V" TEST POINT IS 4 VOLTS AND THE "1V" TEST POINT IS 1 VOLT. (ONE TIME ADJUSTMENT)

REMOVE JP4 AND ADJUST R106 LEVEL SO LOWER LED IS ALWAYS ON AND UPPER LED BLINKS OCCASIONALLY, (RE-ADJUST WHEN CHANGING MIC)

REPLACE JP4 AND ADJUST R1 TO SUIT RADIO IN USE (ONE TIME ADJUSTMENT)

Drawn	KC0JFQ	Date	2021-06-12
Designed	KC0JFQ	Date	2021-06-12

The University of Iowa Department of Physics & Astronomy Iowa City, IA, USA			
TITLE: MICROPHONE PREAMP			
A102_73199_0			
CAGE	Series	Number	Rev
2D354	102	B 73199	0
Date: 6/15/21 9:02 AM		6/15/21 9:02 AM	
Sheet: 2/2			