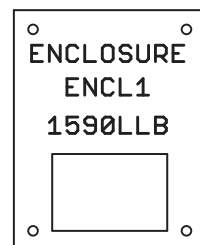
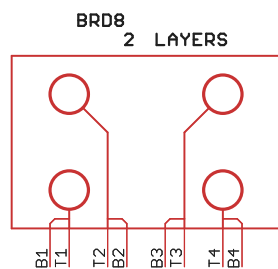
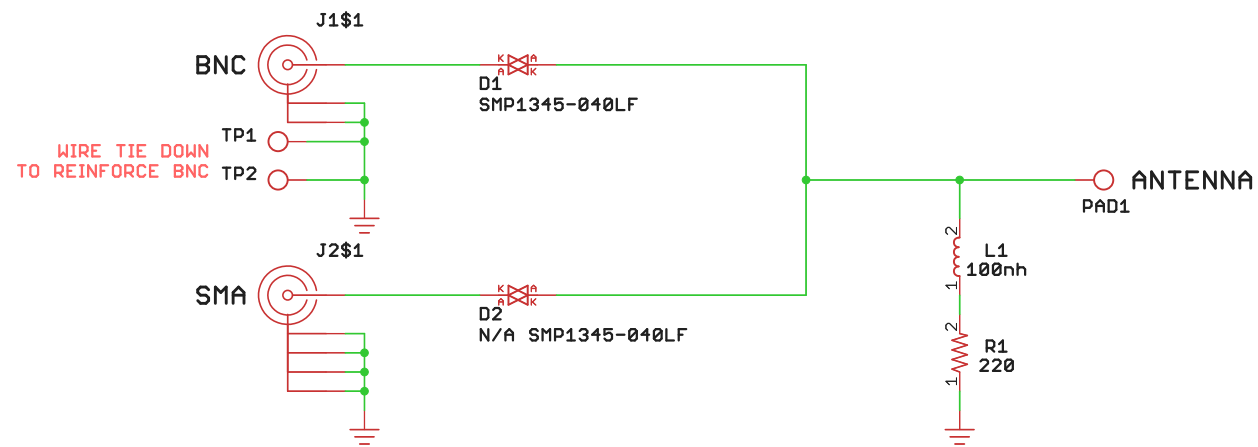
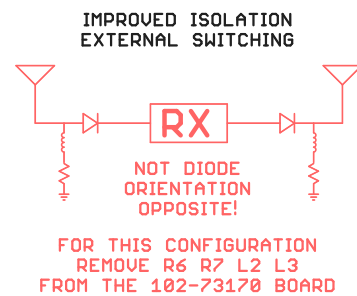


ANTENNA MOUNT

INSTALL ONE COAX CONNECTOR ONLY
 INSTALL ONE DIODE ONLY
 OPPOSITE POLARITY ON EITHER ANTENNA



MARK ZERO POINT FOR PICK & PLACE FILE ON PRINTED CIRCUIT BOARD

KC0JFQ

| | | | | | |
|--------------------------------------|-----------------------------------|------------------|--------------|---------------------|--|
| TOP_FULL | | | | | |
| DRAWING FRAME SHOWN ON CIRCUIT BOARD | PWB RELEASED AS 2D354 102-73187-A | | | | |
| BOARD ASSY | | | | | |
| DRAWING FRAME SHOWN ON CIRCUIT BOARD | PWA RELEASED AS 2D354 102-73187-A | | | | |
| BOT_COMPACT | | | | | |
| DRAWING FRAME SHOWN ON CIRCUIT BOARD | | | | | |
| BOARD-ID | | | | | |
| DRAWING FRAME SHOWN ON CIRCUIT BOARD | | | | | |
| Drawn | W. ROBISON | Date | 9/2020 | | |
| Designed | KC0JFQ | Date | 9/2020 | TITLE: ANTENNA BASE | |
| | | | A102_73187_A | | |
| CAGE | Series | icARC FOX HUNT | Number | Rev | |
| 2D354 | 102 | | B 73187 | A | |
| Date: 1/14/21 10:53 AM | | 1/14/21 10:53 AM | | Sheet: 1/1 | |

The University of Iowa
 Department of Physics & Astronomy
 Iowa City, IA, USA