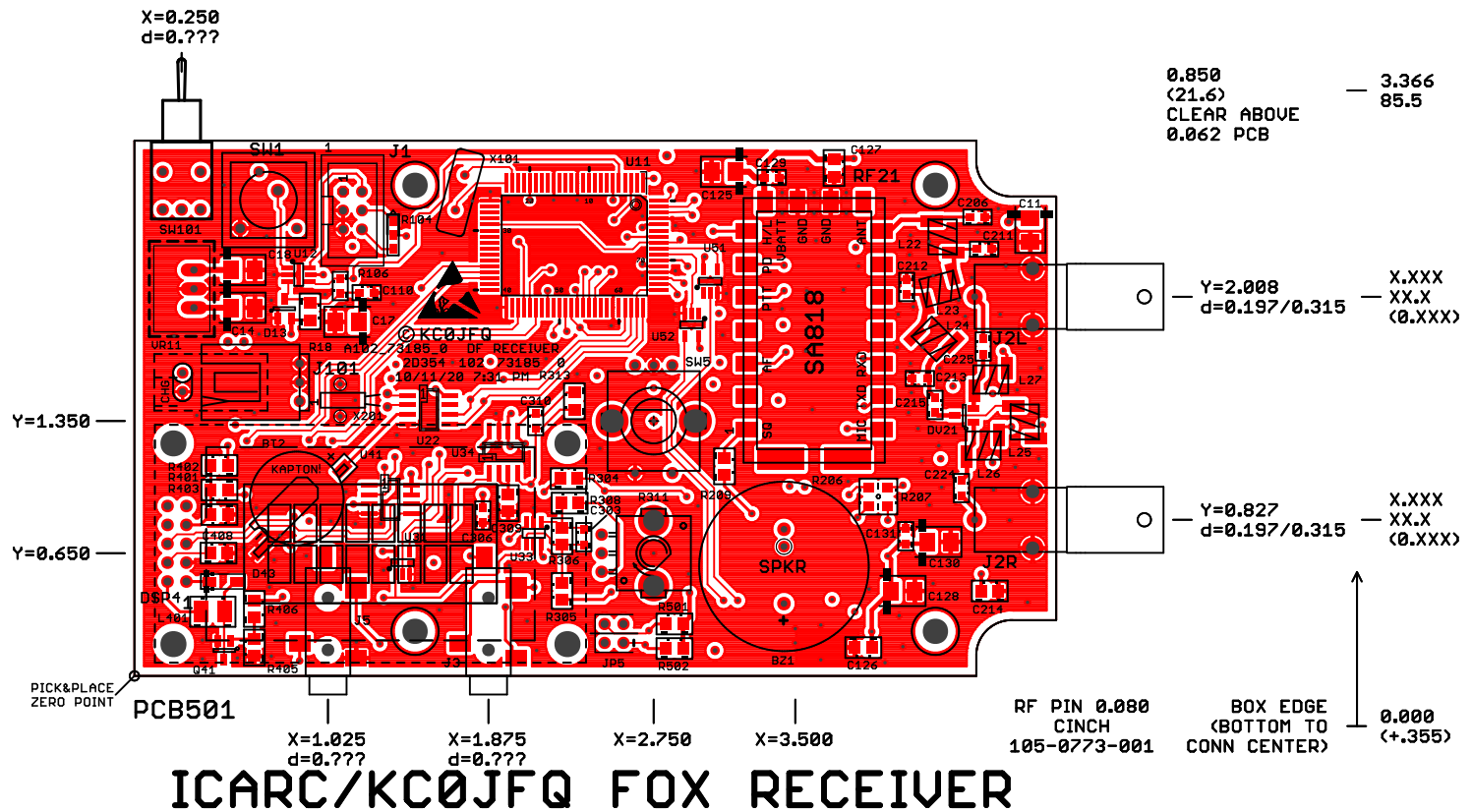


PWA RELEASED AS 102-73185-0

ASSEMBLE PER BOM 102_73185_0.DigiKey.csv
 PICK & PLACE FILE 102_73185_0.pck_plc.txt
 REFERENCE VIEW, TOP 102_73185_0_top.pdf
 REF. VIEW, BOTTOM 102_73185_0_bot.pdf

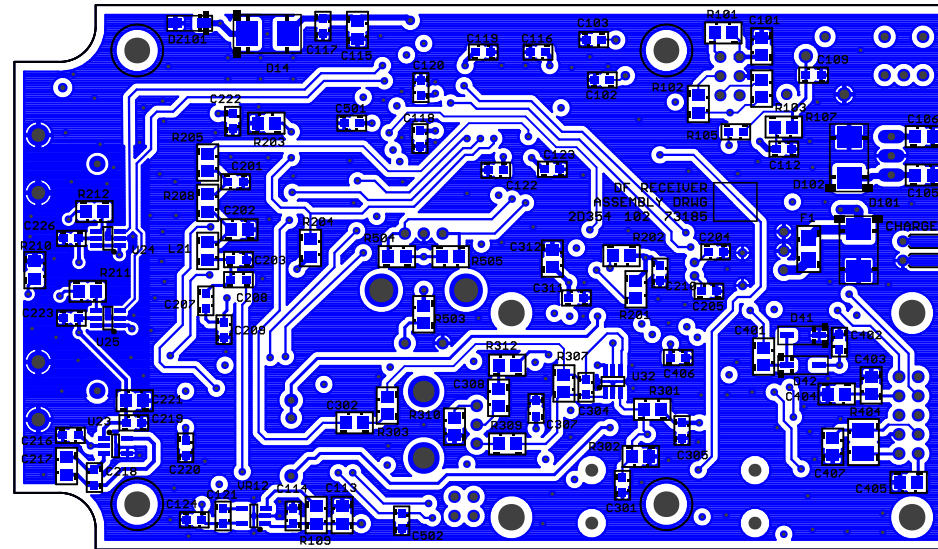
PADS ARE TYPICALLY OPTIMIZED FOR HAND SOLDERING. THERE WILL BE ADDITIONAL COPPER EXTENDING BEYOND THE END OF THE DEVICE. THIS ADDITIONAL PAD AREA PROVIDES CONTACT AREA FOR THE SOLDERING IRON TIP

TOP MARKING INK 102_73185_0.gto .GTO
 TOP COPPER 102 102_73185_0.gm01 .GTL



ICARC/KC0JFQ FOX RECEIVER

Drawn	KC0JFQ	Date	TITLE: DF RECEIVER				The University of Iowa	
Designed	KC0JFQ	Date	PWA				Department of Physics & Astronomy	
Approval 1	KC0JFQ	Date	Plot: 10/11/20 7:31 PM		Save: not saved!		A102_73185_0	
			CAGE	Series	FOX DF TOOLS	LAYERS	Number	
			2D354	102		4	73185	
							REV:	
							0	



BOT COPPER 105_73185_0.dwg 105
 BOT MARKING INK 105_73185_0.dwg 105

PICK&PLACE
ZERO POINT

TITLE: DF RECEIVER PWA Date: not saved!		The University of Iowa Department of Physics & Astronomy Iowa City, IA, USA A102_73185_0			
CAGE	Series	FOX DF TOOLS	LAYERS	Number	REV:
2D354	102		4	73185	0