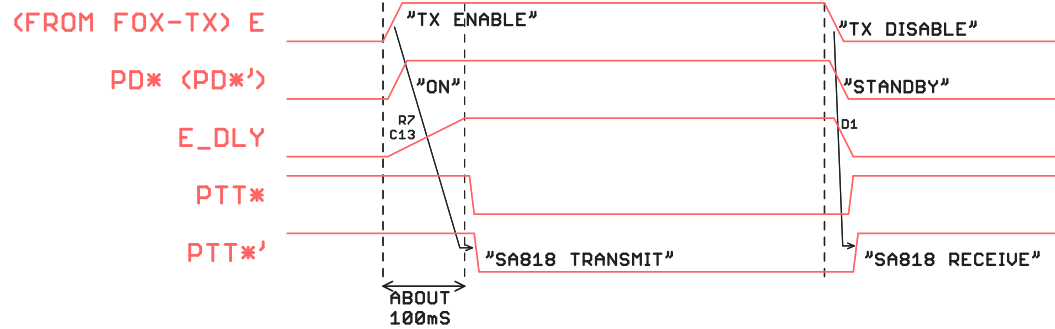
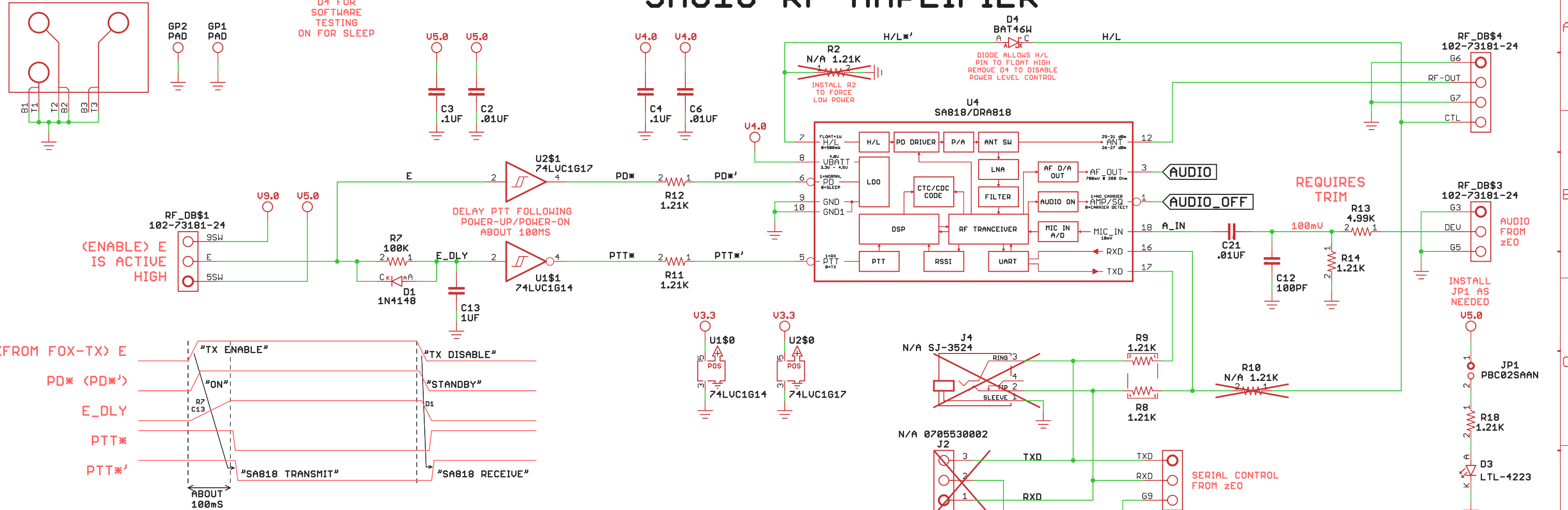


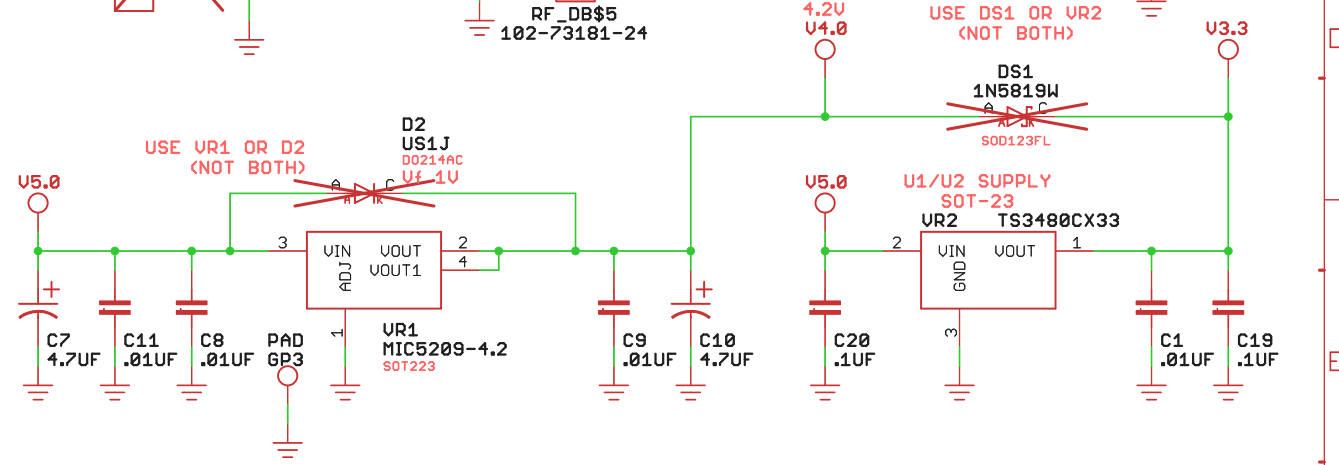
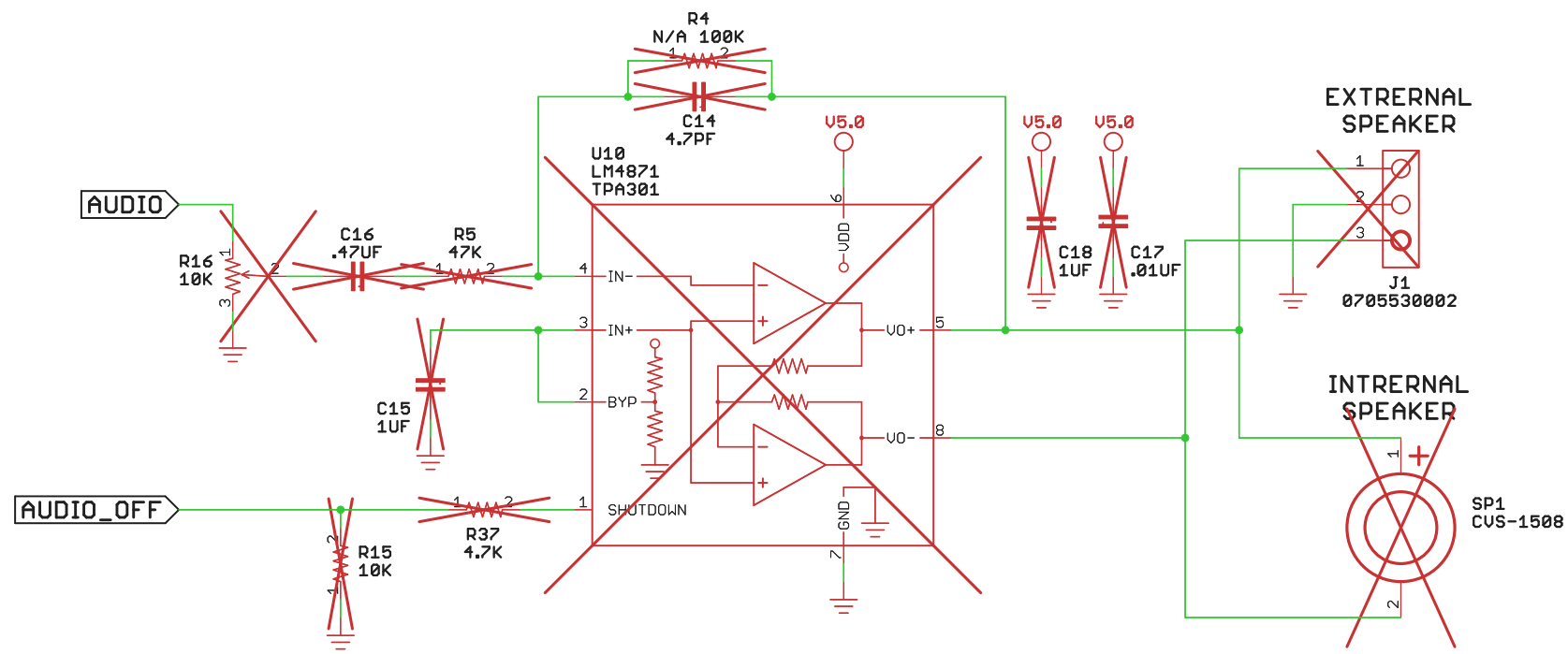
SA818 RF AMPLIFIER

RF_DB\$0 2 LAYERS 102-73181-24

INSTALL D4 FOR SOFTWARE TESTING ON FOR SLEEP



AUDIO AMPLIFIER



Drawn	Date
KC0JFQ	2019-05-13
Designed	Date
KC0JFQ	2019-05-13

The University of Iowa Department of Physics & Astronomy Iowa City, IA, USA				
TITLE: DR818 AMPLIFIER				
A102_73181_24 PROD				
CAGE	Series	Number	2 Layers	Rev
2D354	102 FOX TRANSMITTER	B 73181		24
Date: not saved!		9/9/22 9:28 AM		Sheet: 2/2