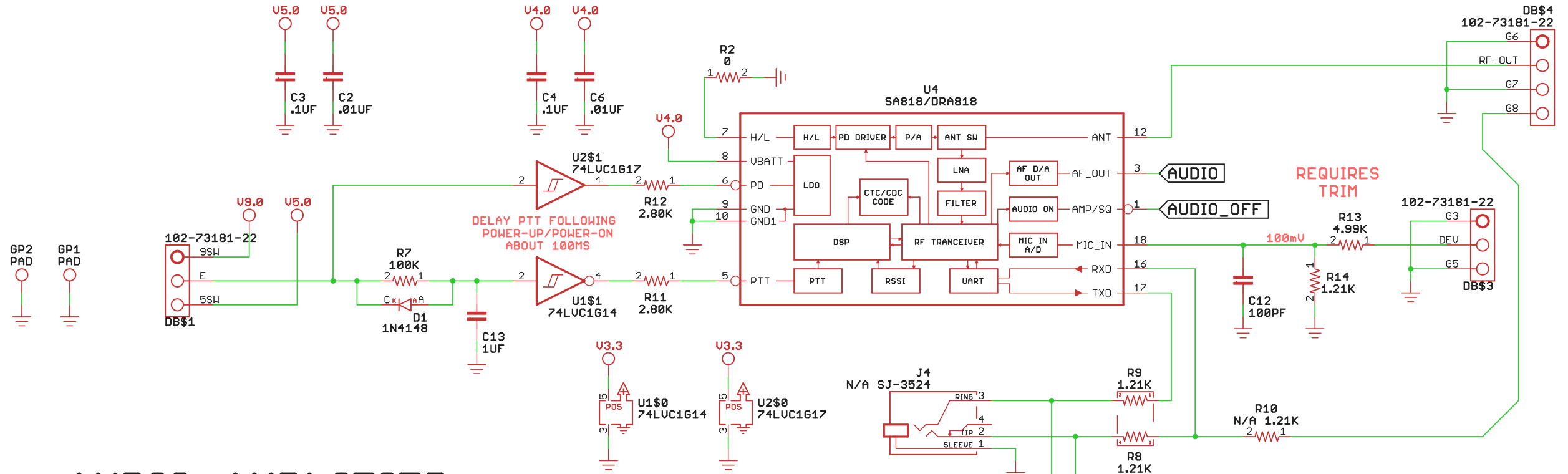
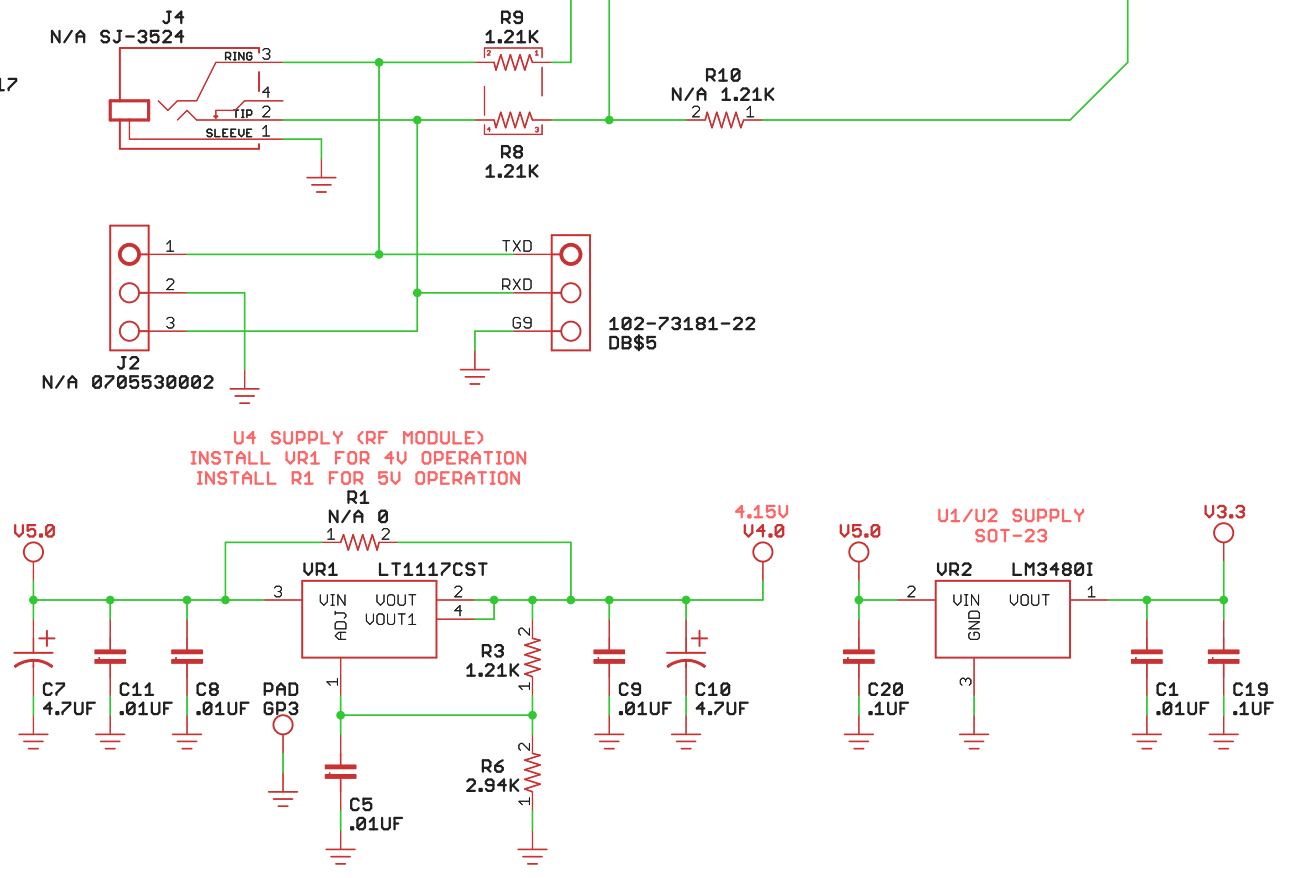
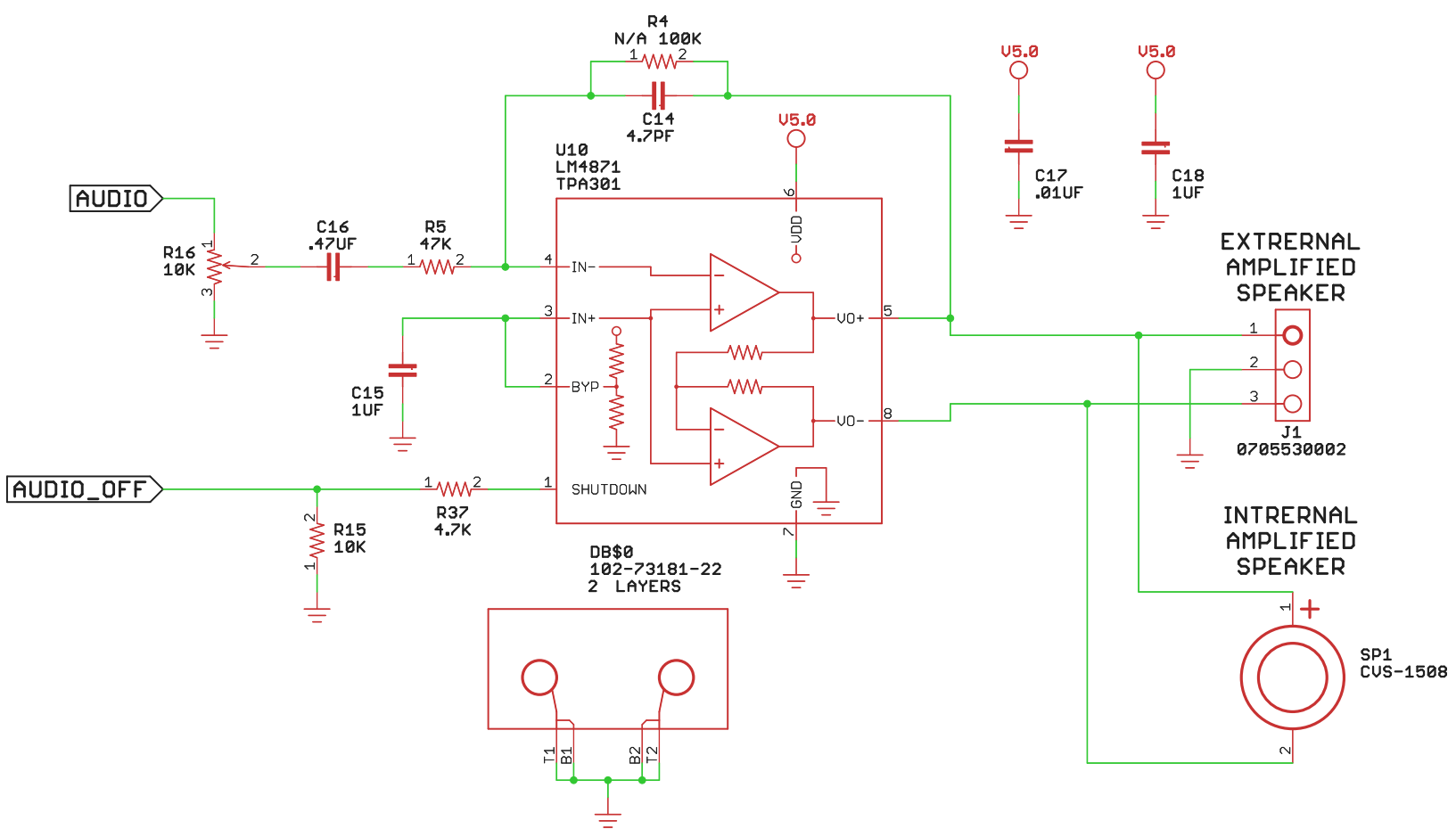


# SA818 RF AMPLIFIER



# AUDIO AMPLIFIER



Drawn	KC0JFQ	Date	2019-05-13	The University of Iowa Department of Physics & Astronomy Iowa City, IA, USA			
Designed	KC0JFQ	Date	2019-05-13				
TITLE: SOT89 RF AMPLIFIER				A102_73181_22			
CAGE	2D354	Series	102	Number	B 73181	Rev	22
Date: 5/31/20 1:38 PM		5/31/20 1:38 PM		Sheet: 1/1			