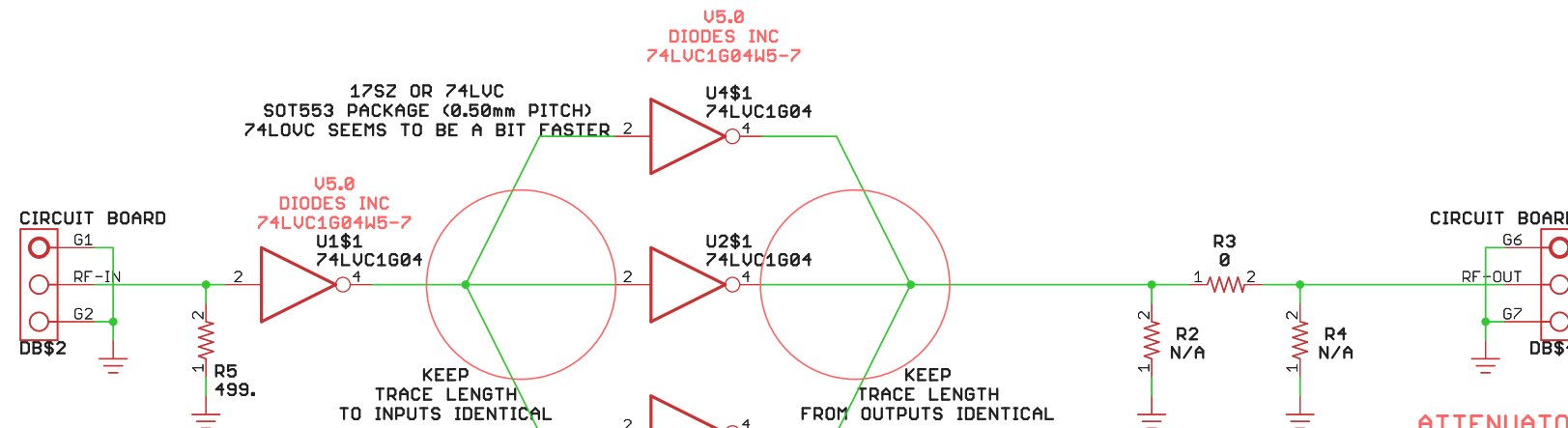
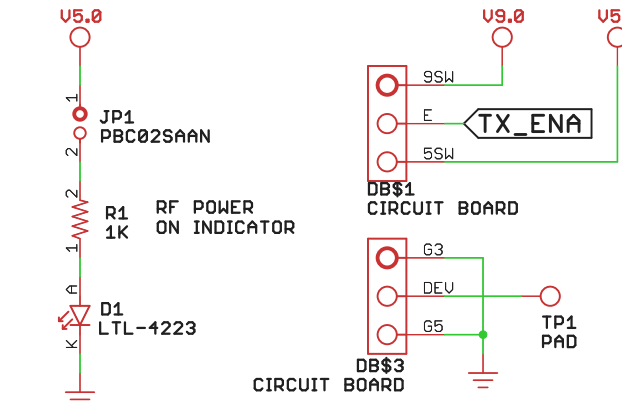
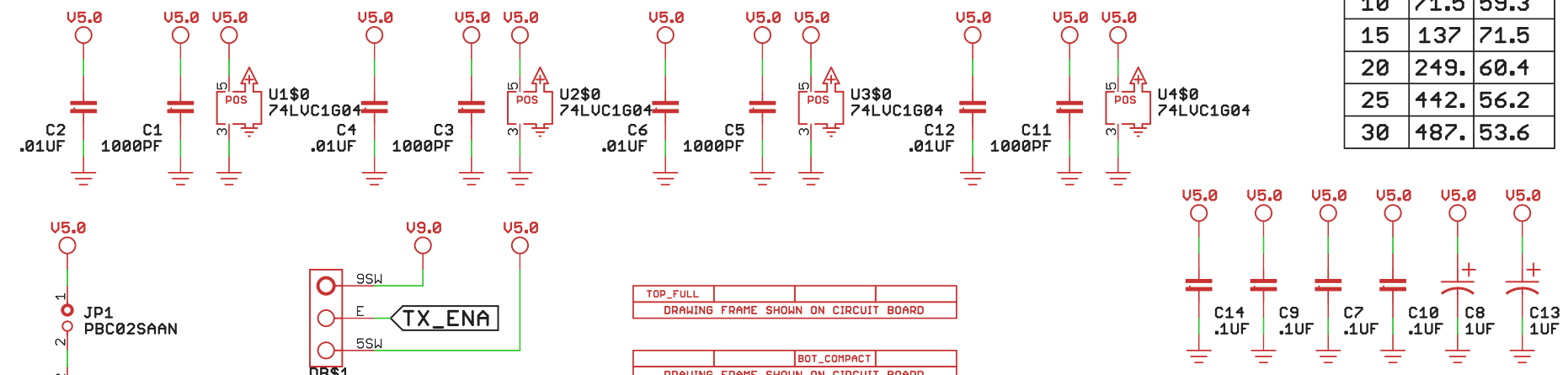


CLASS-D AMPLIFIER



ATTENUATOR

dB	R1	R2
0	N/A	N/A
5	30.1	178.
10	71.5	59.3
15	137	71.5
20	249.	60.4
25	442.	56.2
30	487.	53.6



TOP_FULL		
DRAWING FRAME SHOWN ON CIRCUIT BOARD		
BOT_COMPACT		
DRAWING FRAME SHOWN ON CIRCUIT BOARD		
Drawn	KC0JFQ	Date 2019-11-13
Designed	KC0JFQ	Date 2019-11-13

The University of Iowa
Department of Physics & Astronomy
Iowa City, IA, USA

TITLE: CLASS D AMP/3

A102_73161_27

CAGE	Series	Number	Rev
2D354	102 FOX TRANSMITTER	A 73161	27
Date: 1/29/20 9:22 AM		1/29/20 9:23 AM	Sheet: 1/1